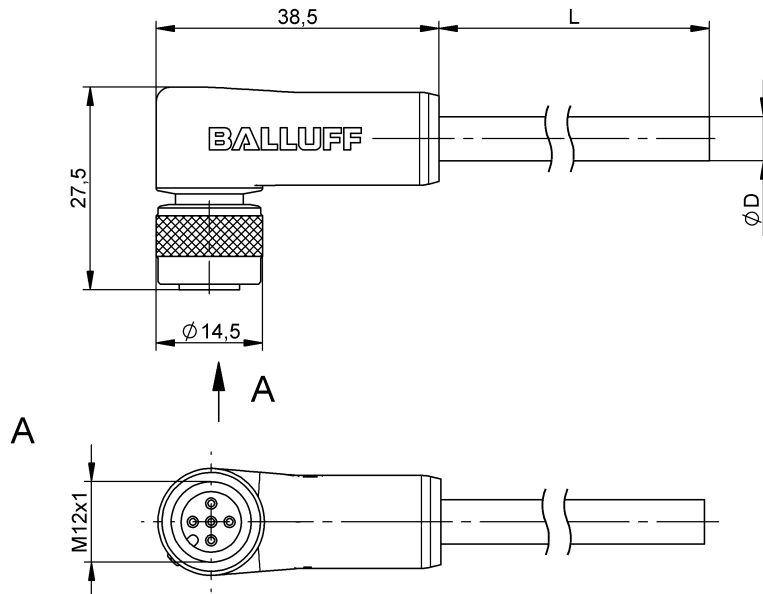


Single-Ended Cordsets
BCC M425-0000-1A-101-VS0534-100
 Order Code: BCC0CRT

BALLUFF



Basic features

Approval/Conformity	CE cULus WEEE
---------------------	---------------------

Electrical connection

Cable	PVC Shielded black, 10 m
Cable diameter D	5.00 mm ±0.20 mm
Conductor cross-section	0.34 mm ²
Connection	M12x1-Female, angled, 5-pin, A-coded
Connector configuration	right-angle
Number of conductors	5
Number of pins	5
System	Molded

Electrical data

Operating voltage U _b	60 VDC / 60 VAC
Rated current (40 °C)	4.0 A

Environmental conditions

Cable temperature, fixed routing	-25...70 °C
Cable temperature, flexible routing	-5...70 °C
IP rating	IP67

Interface

Switching output	Complementary
------------------	---------------

Material

Cable jacket material, note	Shielded
Cable jacket, material	PVC
Material contact carrier	PUR
Material contacts	Bronze
Material cover nut	Brass nickel-plated
Material grip	PUR

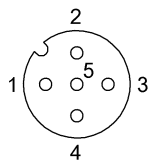
Mechanical data

Cable jacket, color	black
Cable length L	10.00 m
Tightening torque pigtail	0.6 Nm

Remarks

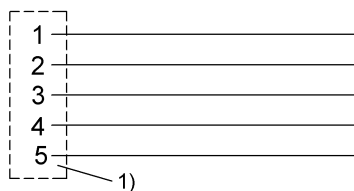
Enclosure rating per IEC 60529, only in screwed state with the associated mating piece.

Connector Drawings



PIN 1: brown
PIN 2: white
PIN 3: green
PIN 4: yellow
PIN 5: gray

Wiring Diagrams



1) Shield on cover nut